



independentschoolsportal.org

Building collegiality through technology

Year 4

6 Mental Addition Tests with children's answer sheets

Tests are ideally taken once every 2 weeks

These tests have been designed for use in the

Michaelmas term

Year 4 Time Block 1

Test 1 (end of week 2)

I will read every question twice. In this first set you will have 5 seconds to work out the answer and record it on your answer sheet.

1. Write the number 306 in figures. (306)
2. What is 5 multiplied by 5? (25)
3. What is double 18? (36)
4. Write the next even number after 38. (40)
5. What is 100 subtract 17? (83)
6. What is 32 divided by 4? (8)
7. Multiply 27 by 10. (270)
8. What is 533 rounded to the nearest 10? (530)
9. What is 1p less than £1? (99p or £0.99)
10. Tom has 27 marbles and Sue has 43 marbles. How many marbles have they altogether? (70)

For this next group of questions you will have 10 seconds to work out the answer and write it down on your answer sheet.

11. Look at the measuring cylinder on your sheet. How much water is in it? (800ml)
12. Write a number in the empty box on your sheet so that the three numbers are in order. (798, 799 or 800)
13. I think of a number, then subtract 16. The answer is 24. What was my number? (40)
14. Look at the sequence on your sheet: 13, 18, 23, 28..... Write the next number in the empty box. (33)
15. On your sheet is a number scale. Estimate the number to which the arrow is pointing. (25, ± 1)

YEAR 4

Mental Arithmetic Test 1

Name:

Date:

1	
----------	--

2	
----------	--

3	
----------	--

4	
----------	--

5		17
----------	--	-----------

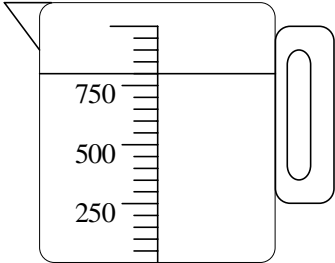
6	
----------	--

7	
----------	--

8		533
----------	--	------------

9	
----------	--

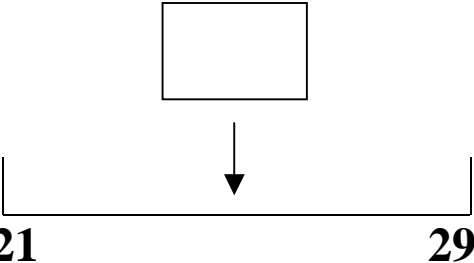
10	marbles	27 marbles 43 marbles
-----------	---------	--------------------------

11	ml	
-----------	----	---

12	797		801
-----------	------------	--	------------

13		24
-----------	--	-----------

14	13 18 23 28	
-----------	--------------------	--

15	
-----------	--

Year 4 Time Block 1

Test 2 (end of week 4)

For this first group of questions you will have 5 seconds to work out the answer and write it down on your answer sheet. I will read each question twice.

1. Write the number 402 in figures. (402)
2. What is 6 times 4? (24)
3. What is half 32? (16)
4. Write the next odd number after 49. (51)
5. What is the difference between 80 and 53? (27)
6. What is 35 shared between 5? (7)
7. Multiply 46 by 100. (4600)
8. What is 446 rounded to the nearest 10? (450)
9. How many 50p coins make £8? (16)
10. Danny has 18 comics and Michelle has 30 comics. How many more comics has Michelle? (12)

For this next group of questions you will have 10 seconds to work out the answer and write it down on your answer sheet. I will read each question twice.

11. Look at the weighing scales on your sheet. What weight is shown? (650g, ± 10 g)
12. Dave buys 5 CDs at £1.99 each. He pays with a £10 note. How much change should he get? (5p)
13. Look at the sequence of numbers on your sheet: 11, 15, 19, ?, 27. Write in the missing number. (23)
14. Two shelves are 90cm and 63cm long. What is the total length in metres and centimetres? (1m 53cm)
15. Each side of a regular pentagon is 9cm long. How long is its perimeter? (45cm)

YEAR 4

Mental Arithmetic Test 2

Name:

Date:

1

2

3

4

5

<input type="text"/>	80
	53

6

7

8

<input type="text"/>	446
----------------------	------------

9

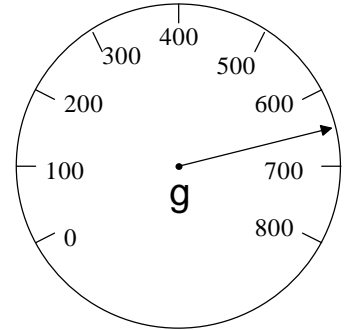
<input type="text"/>	£8
----------------------	-----------

10

<input type="text"/>	18 comics
	30 comics

11

g



12

<input type="text"/>	£1.99
----------------------	--------------

13

11 15 19 27

14

m cm

15

cm

Year 4 Time Block 1

Test 3 (end of week 6)

For this first group of questions you will have 5 seconds to work out the answer and write it down on your answer sheet. I will read each question twice.

1. Write the number 1573 in figures. (1573)
2. What is the product of 7 and 3? (21)
3. What is double 80? (160)
4. Write an even number between 90 and 100. (92, 94, 96 or 98)
5. What is 42 less than 80? (38)
6. How many threes in 33? (11)
7. Multiply 52 by 10. (520)
8. What is 779 rounded to the nearest 10? (780)
9. What do eleven 10p coins total? (£1.10 or 110p)
10. At a garage there are 47 cars for sale. 32 cars are sold. How many cars are not sold? (15)

For this next group of questions you will have 10 seconds to work out the answer and write it down on your answer sheet. I will read each question twice.

11. The perimeter of a square room is 16m. How long is each side of the room? (4m)
12. If you add 1276 and 2733 together, is the answer odd or even? (odd)
13. Look at the number sequence on your sheet - 98, 95, 92, ?, 86.... Write the missing number. (89)
14. How many times can you cut 3cm from 25cm of string? (8)
15. Write two numbers with a difference of 9. (e.g. 0 and 9)

YEAR 4

Mental Arithmetic Test 3

Name:

Date:

1	
----------	--

2	
----------	--

3	
----------	--

4		90	100
----------	--	-----------	------------

5		42	80
----------	--	-----------	-----------

6	
----------	--

7	
----------	--

8		779
----------	--	------------

9	£	
----------	----------	--

10		47 cars	cars	32 cars
-----------	--	----------------	-------------	----------------

11		m	16m
-----------	--	----------	------------

12		1276	2733
-----------	--	-------------	-------------

13	98	95	92		86
-----------	-----------	-----------	-----------	--	-----------

14		25cm
-----------	--	-------------

15			
-----------	--	--	--

Year 4 Time Block 1

Test 4 (end of week 8)

For this first group of questions you will have 5 seconds to work out the answer and write it down on your answer sheet. I will read each question twice.

1. Write the number 2610 in figures. (2610)
2. Write a 2-digit multiple of 4. (e.g. 12)
3. What is half of 46? (23)
4. Write an odd number between 89 and 99. (91, 93, 95 or 97)
5. What is 80 minus 63? (17)
6. What is one quarter of 32? (8)
7. Multiply 16 by 100. (1600)
8. What is 605 rounded to the nearest 10? (610)
9. How many 2p coins make £1? (50)
10. Robert bakes 18 cakes. He shares them equally between himself and his 2 sisters. How many does each child get? (6)

For this next group of questions you will have 10 seconds to work out the answer and write it down on your answer sheet. I will read each question twice.

11. Make the largest 4-digit number you can with these digits and write it down. (5320)
12. Roughly how tall is your front door? (2m, 4m, 6m) Put a ring round the correct answer. (2m)
13. The price of a leather jacket doubled after the January sales. It was £75. How much is it now? (£150)
14. Ring two fractions which when added together would make a whole. (3/10 & 7/10, 4/10 & 6/10)
15. Look at the number line on your sheet. Write down the number shown by the arrow. (264)

YEAR 4

Mental Arithmetic Test 4

Name:

Date:

1	
----------	--

2	
----------	--

3	
----------	--

4		89	99
----------	--	-----------	-----------

5	
----------	--

6	
----------	--

7	
----------	--

8		605
----------	--	------------

9		£1
----------	--	-----------

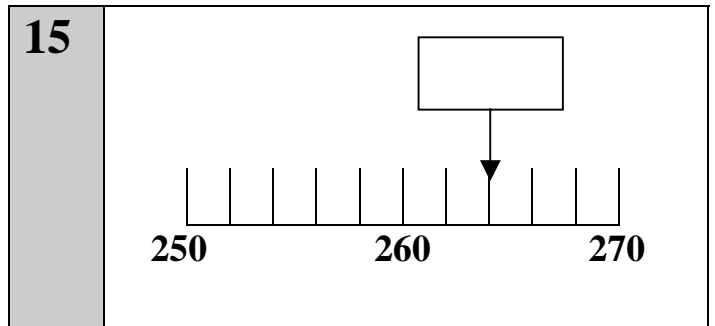
10	cakes	18
-----------	--------------	-----------

11		<table border="1"><tr><td>2</td><td>3</td></tr><tr><td>0</td><td>5</td></tr></table>	2	3	0	5
2	3					
0	5					

12	2m	4m	6m
-----------	-----------	-----------	-----------

13	£	£75
-----------	----------	------------

14	$\frac{3}{10}$	$\frac{4}{10}$	$\frac{5}{10}$	$\frac{6}{10}$	$\frac{7}{10}$
-----------	----------------	----------------	----------------	----------------	----------------



Year 4 Time Block 1

Test 5 (end of week 10)

For this first group of questions you will have 5 seconds to work out the answer and write it down on your answer sheet. I will read each question twice.

1. Write the number 4809 in figures. (4809)
2. What is the product of 9 and 4? (36)
3. What is double 140? (280)
4. Write an even number between 178 and 187. (180, 182, 184 or 186)
5. Decrease 72 by 14. (58)
6. Divide 40 by 10. (4)
7. Make 33 ten times bigger. (330)
8. What is 272 rounded to the nearest 10? (270)
9. How many 20p coins make £2? (10)
10. I have 93p and spend 18p on sweets. How much do I have left? (75p)

For this next group of questions you will have 10 seconds to work out the answer and write it down on your answer sheet. I will read each question twice.

11. How many days are there in 4 weeks? (28)
12. Approximately, what is $162 - 98$? Put a ring round your answer. (60)
13. What is 25 to 5 on a 12-hour digital clock? (4:35)
14. What is the value of the 5 in 596? (500)
15. Look at your sheet. Circle the one to use to work out how many glasses you can fill from 4 bottles of lemonade if one bottle of lemonade fills 5 glasses. (5x4)

YEAR 4

Mental Arithmetic Test 5

Name:

Date:

1	
----------	--

2	
----------	--

3	
----------	--

4		178 187
----------	--	----------------

5	
----------	--

6	
----------	--

7	
----------	--

8		272
----------	--	------------

9		£2
----------	--	-----------

10		p 93p
-----------	--	--------------

11		days
-----------	--	-------------

12	60	70	162-98
		90	
	100	120	

13		:	25 to 5
-----------	--	----------	----------------

14		596
-----------	--	------------

15	5 ÷ 4	5 - 4	4 bottles 5 glasses
	5 x 4	5 + 4	

Year 4 Time Block 1

Test 6 (end of week 12)

For this first group of questions you will have 5 seconds to work out the answer and write it down on your answer sheet. I will read each question twice.

1. Write the number 3013 in figures. (3013)
2. What are 5 lots of 9? (45)
3. What is half of 260? (130)
4. Write an odd number between 309 and 319. (311, 313, 315 or 317)
5. What number is 58 less than 85? (27)
6. Double 240. (480)
7. Multiply 27 by 20. (540)
8. What is 996 rounded to the nearest 10? (1000)
9. What is 1p less than £1.10? (£1.09)
10. I have 19p in one pocket and 47p in another pocket. How much do I have altogether? (66p)

For this next group of questions you will have 10 seconds to work out the answer and write it down on your answer sheet. I will read each question twice.

11. How long in minutes was a film if it lasted 1 hour and 45 minutes? (105 mins)
12. What fraction of the shape on your sheet is **not** shaded? (5/10 or ½)
13. The diagram on your sheet shows information about children in a Y4 class. How many were there in the class altogether? (30)
14. The Venn diagram on your sheet shows how some number cards were sorted. Add the number 33 to the diagram. (in the intersection)
15. Look at the sequence on your sheet. Write the next number in the empty box. 21, 17, 13, ?... (9)

YEAR 4

Mental Arithmetic Test 6

Name:

Date:

1

2

3

4 **309 319**

5

6

7

8 **996**

9 **£** **£1.10**

10 **p**

11 **minutes** **1 hr 45 minutes**

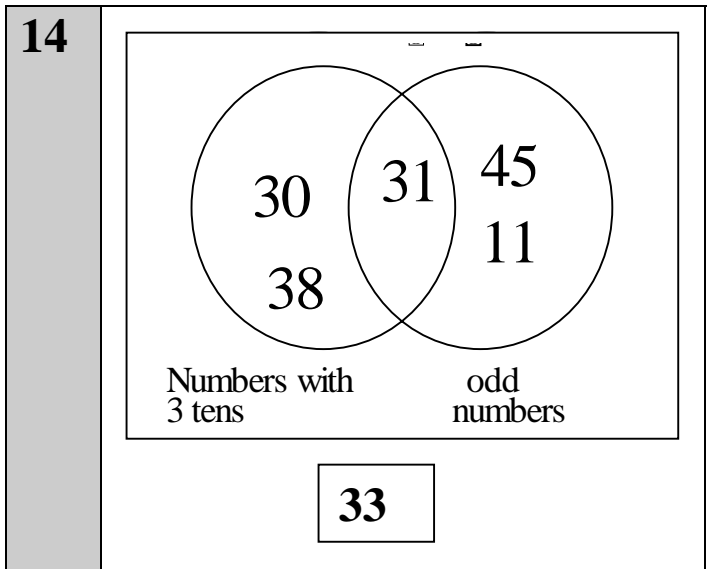
12

<input type="checkbox"/>	<input type="checkbox"/>	<input type="checkbox"/>	<input type="checkbox"/>
<input type="checkbox"/>	<input type="checkbox"/>	<input type="checkbox"/>	<input type="checkbox"/>

13

	swimmers	non-swimmers
boys	8	9
girls	12	1

.....children



15 **21 17 13**